

Wavin Ltd

Parsonage Way
Chippenham
Wiltshire
SN15 5PN

Tel: 01249 766600 Fax: 01249 443286
e-mail: info@wavin.co.uk
website: www.wavin.co.uk

HAPAS Certificate
14/H214
Product Sheet 1

WAVIN ROAD GULLIES

This HAPAS Certificate Product Sheet⁽¹⁾ is issued by the British Board of Agrément (BBA), supported by the Highways Agency (HA) (acting on behalf of the Overseeing Organisations of the Department for Transport; Transport Scotland; the Welsh Assembly Government and the Department for Regional Development, Northern Ireland), the Association of Directors of Environment, Economy, Planning and Transport (ADEPT), the Local Government Technical Advisers' Group and industry bodies. HAPAS Certificate Product Sheets are normally each subject to a review every three years.
(1) Hereinafter referred to as 'Certificate'.

This Certificate supersedes 05/R139, and relates to Wavin Road Gullies, for use as trapped or untrapped road gullies for direct connection to plastic pipe systems.

CERTIFICATION INCLUDES:

- factors relating to compliance with HAPAS requirements
- factors relating to compliance with Regulations where applicable
- independently verified technical specification
- assessment criteria and technical investigations
- design considerations
- installation guidance
- regular surveillance of production
- formal three-yearly review.



KEY FACTORS ASSESSED

Flow Characteristics — the products have sufficient flow characteristics (see section 6).

Strength and stability — the products have adequate strength to resist loads and impact likely to be encountered during transport, installation and use (see section 7).

Watertightness — the connections between the gullies and the pipes are watertight (see section 8).

Airtightness — the trap is airtight (see section 9).

The BBA has awarded this Certificate to the company named above for the products described herein. These products have been assessed by the BBA as being fit for their intended use provided they are installed, used and maintained as set out in this Certificate.

On behalf of the British Board of Agrément



Brian Chamberlain

Head of Approvals — Engineering



Claire Curtis-Thomas

Chief Executive

Date of First issue: 16 April 2014

Originally certificated on 30 March 2005

The BBA is a UKAS accredited certification body — Number 113. The schedule of the current scope of accreditation for product certification is available in pdf format via the UKAS link on the BBA website at www.bbacerts.co.uk

Readers are advised to check the validity and latest issue number of this Agrément Certificate by either referring to the BBA website or contacting the BBA direct.

Requirements

In the opinion of the BBA, Wavin Road Gullies when used in accordance with the provisions of this Certificate, will meet or contribute to meet the following requirements of the Manual of Contract Documents for Highways Works (MCHW)⁽¹⁾, Volume 1, Specification for Highways Works : 1998 and Volume 3 : Highway Construction Details : 1998, Drawing No F13.

(1) The MCHW is operated by the Overseeing Organisations: The Highways Agency (HA), Transport Scotland, the Welsh Assembly Government and the Department for Regional Development (Northern Ireland).

Regulations

Construction (Design and Management) Regulations 2007

Construction (Design and Management) Regulations (Northern Ireland) 2007

Information in this Certificate may assist the client, CDM co-ordinator, designer and contractors to address their obligations under these Regulations.

See section: 13 Procedure (13.1) of this Certificate.

Technical Specification

1 Description

1.1 Wavin Road Gullies comprise high density polyethylene (HDPE) gullies with the nominal outside diameters as described in Table 1 (see Figure 1). The gullies incorporate an integral trap, outlet spigot or socket connection. The trapped gully (see Figure 2) incorporates an integral airtight trap, outlet socket and a rubber access plug with an integral retaining strap. If the access plug is not used, the gully can be considered untrapped.

Table 1 Wavin Road Gullies — details

Code No	Overall size (mm)		Outlet type
	nominal diameter	depth	
6TW651	500/450	760	TwinWall spigot
6TW650	500/450	910	TwinWall spigot
6UR590	500/450	760	UltraRib socket
6UR600	500/450	910	UltraRib socket

Figure 1 Gully details

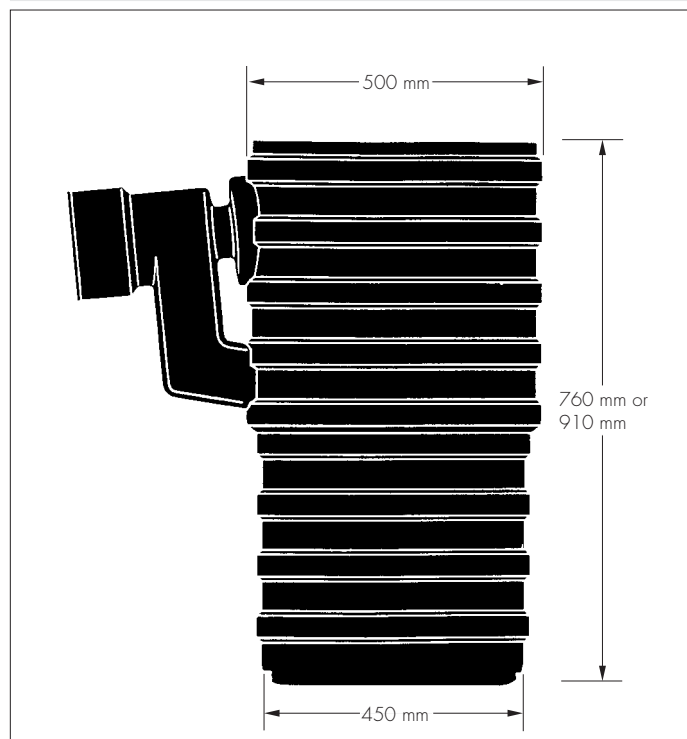
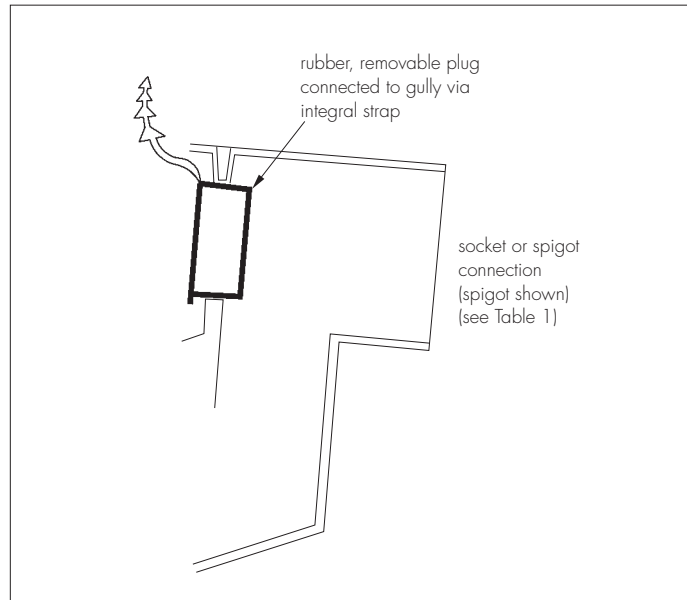


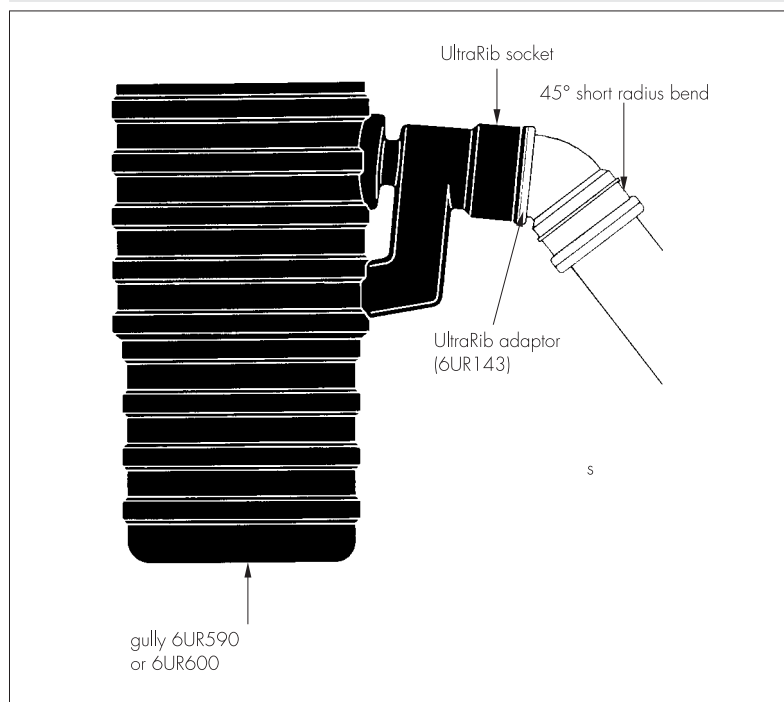
Figure 2 Trap detail



1.2 The outlet is suitable for connection to 150 mm Wavin UltraRib and TwinWall pipe.

1.3 Connection of the 6UR590 and 6UR600 gullies to 160 mm PVC-U pipe (Kitemarked to BS EN 1401-1 : 2009 and BS EN 13476-2 : 2007) can be made using the Wavin UltraRib adaptor (6UR143) (see Figure 3).

Figure 3 Connection to BS EN 1401-1 and BS EN 13476-2 pipe



2 Manufacture

2.1 The gullies are manufactured using a conventional blow-moulding process.

2.2 As part of the assessment and ongoing surveillance of product quality, the BBA has:

- agreed with the manufacturer the quality control procedures and product testing to be undertaken
- assessed and agreed the quality control operated over batches of incoming materials
- monitored the production process and verified that it is in accordance with the documented process
- evaluated the process for management of non-conformities
- checked that equipment has been properly tested and calibrated
- undertaken to carry out the above measures on a regular basis through a surveillance process, to verify that the specifications and quality control operated by the manufacturer are being maintained.

2.3 The management system of the manufacturer has been assessed and registered as meeting the requirements of BS EN ISO 9001 : 2008.

3 Delivery and site handling

The gullies are delivered to site wrapped in polythene on pallets and are each identified by the manufacturer's product code and the number of this Certificate.

Assessment and Technical Investigations

The following is a summary of the assessment and technical investigations carried out on Wavin Road Gullies.

Design Considerations

4 General

Wavin Road Gullies are satisfactory for use when surrounded with a minimum thickness of 150 mm of concrete to the specification required by the Highways Agency (HA).

5 Practicability of installation

The products are designed to be installed by a competent general builder, or a contractor, experienced with these types of products.

6 Flow characteristics

6.1 The gullies have flow characteristics equivalent to those of precast concrete units to BS 5911-4 : 2002 and BS EN 1917 : 2002.

6.2 The gullies have a holding capacity of:

6TW651 and 6UR590 — 86 litres

6TW650 and 6UR600 — 104 litres.

7 Strength and stability

7.1 The gullies have adequate strength to withstand the loads associated with placing the surrounding concrete.

7.2 The gullies have adequate resistance to impacts likely to be encountered during transport, installation and emptying.

8 Watertightness

The connections between the gullies and the pipes specified in this Certificate, when installed as shown in Drawing No F13 of the Highway Construction Details, and, when surrounded by concrete to the HA specification, are fully watertight in accordance with the MCHW, Volume 1, Clause 504.3. Without a concrete surround, the joints are partly watertight.

9 Airtightness

When used as a trapped system, the gullies are airtight.

10 Maintenance

10.1 The drain from each gully may be rodded using conventional flexible drain rods by removing the rubber plug (see Figure 2). In common with other standard plastics drainage systems, toothed root cutters and rods with metal ferrules used in some mechanical cleaning systems could damage the gully and should not be used. To maintain the effectiveness of the trap, the plug must be replaced after rodding.

10.2 Each gully is emptied using conventional suction tankers.

11 Durability

When surrounded by concrete and installed in accordance with this Certificate, each gully will have a life equivalent to that of the UltraRib and TwinWall systems.

12 Reuse and recyclability

The gully is manufactured from high density polyethylene (HDPE) which is readily recyclable.

Installation

13 Procedure

13.1 Each gully should be installed in a suitably sized pit, allowing for a minimum surround and base of 150 mm of concrete to the HA specification and any trench shoring required.

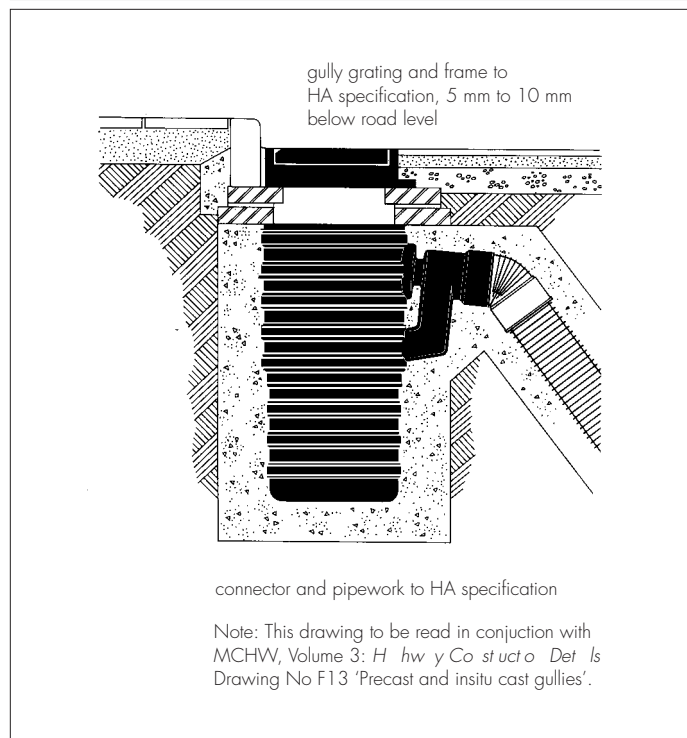
13.2 A concrete base at least 150 mm thick is laid. The gully should be set level and in line with the branched drain, and haunched with concrete up to its second rib.

13.3 The trapped or untrapped gully is connected to the branch drain in accordance with normal UltraRib or TwinWall⁽¹⁾ practice, as appropriate.

(1) A ring seal is not required for TwinWall connections.

13.4 The gully is surrounded, up to the lip, with a minimum of 150 mm of concrete (see Figure 4). To prevent distortion and floatations, the gully should be weighted by filling with water or suitable ballast prior to placing the concrete. The concrete must be evenly distributed and must fully surround the outlet spigot/socket and connection joint; the use of a vibrating poker will assist compaction and reduce void formation.

Figure 4 Typical installation details



13.5 Installation is completed by the construction of a suitable support for the gully grating and frame, as shown in the MCHW, Volume 3 : Highway Construction Details, Drawing No F13.

Technical Investigations

14 Tests

Tests were carried out to determine:

- watertightness of joints
- airtightness of the trap
- resistance to external pressure, equivalent to that of wet concrete
- capacity
- dimensional accuracy
- melt flow rate
- density.

15 Investigations

15.1 The manufacturing and assembly processes were examined, including the methods adopted for quality control, and details were obtained of the quality and composition of the materials used.

15.2 An assessment was made based on existing data relating to:

- resistance to chemicals
- environmental stress cracking resistance
- flow capacity
- durability
- impact resistance
- practicability of installation
- ease of handling
- ease of rodding.

15.3 Visits were made to sites in progress to assess the practicability and ease of handling, and installation on site was assessed.

Bibliography

BS 5911-4 : 2002 *Precast concrete pipes, fittings and ancillary products — Specification for unreinforced and reinforced concrete inspection chambers (complementary to BS EN 1917 : 2002)*

BS EN 1401-1 : 1998 *Plastics piping systems for nonpressure underground drainage and sewerage — Unplasticized poly(vinylchloride) (PVC-U) — Specifications for pipes, fittings and the system*

BS EN 1917 : 2002 *Concrete manholes and inspection chambers, unreinforced, steel fibre and reinforced*

BS EN 13476-2 : 2007 *Plastics piping systems for nonpressure underground drainage and sewerage — Structured-wall piping systems of unplasticized poly(vinylchloride) (PVC-U)*

Manual of Contract Documents for Highway Works, Volume 2 *Notes for Guidance on the Specification for Highway Works, August 1998 (as amended)*

Manual of Contract Documents for Highway Works, Volume 3 *Highway Construction Details, March 1998 (as amended)*

16 Conditions

16.1 This Certificate:

- relates only to the product/system that is named and described on the front page
- is issued only to the company, firm, organisation or person named on the front page — no other company, firm, organisation or person may hold or claim that this Certificate has been issued to them
- is valid only within the UK
- has to be read, considered and used as a whole document — it may be misleading and will be incomplete to be selective
- is copyright of the BBA
- is subject to English Law.

16.2 Publications, documents, specifications, legislation, regulations, standards and the like referenced in this Certificate are those that were current and/or deemed relevant by the BBA at the date of issue or reissue of this Certificate.

16.3 This Certificate will remain valid for an unlimited period provided that the product/system and its manufacture and/or fabrication, including all related and relevant parts and processes thereof:

- are maintained at or above the levels which have been assessed and found to be satisfactory by the BBA
- continue to be checked as and when deemed appropriate by the BBA under arrangements that it will determine
- are reviewed by the BBA as and when it considers appropriate.

16.4 The BBA has used due skill, care and diligence in preparing this Certificate, but no warranty is provided.

16.5 In issuing this Certificate, the BBA is not responsible and is excluded from any liability to any company, firm, organisation or person, for any matters arising directly or indirectly from:

- the presence or absence of any patent, intellectual property or similar rights subsisting in the product/system or any other product/system
- the right of the Certificate holder to manufacture, supply, install, maintain or market the product/system
- actual installations of the product/system, including their nature, design, methods, performance, workmanship and maintenance
- any works and constructions in which the product/system is installed, including their nature, design, methods, performance, workmanship and maintenance
- any loss or damage, including personal injury, howsoever caused by the product/system, including its manufacture, supply, installation, use, maintenance and removal
- any claims by the manufacturer relating to CE marking.

16.6 Any information relating to the manufacture, supply, installation, use, maintenance and removal of this product/system which is contained or referred to in this Certificate is the minimum required to be met when the product/system is manufactured, supplied, installed, used, maintained and removed. It does not purport in any way to restate the requirements of the Health and Safety at Work etc. Act 1974, or of any other statutory, common law or other duty which may exist at the date of issue or reissue of this Certificate; nor is conformity with such information to be taken as satisfying the requirements of the 1974 Act or of any statutory, common law or other duty of care.